

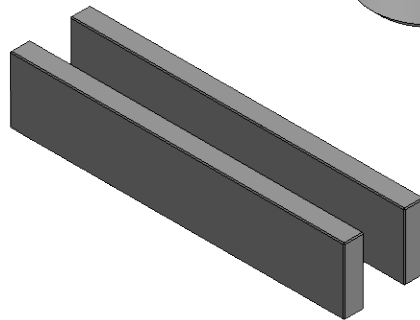
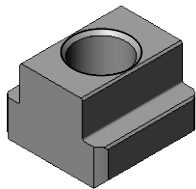
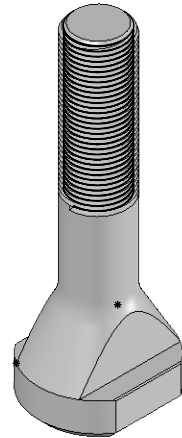
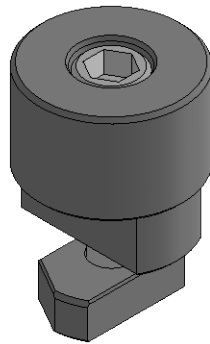
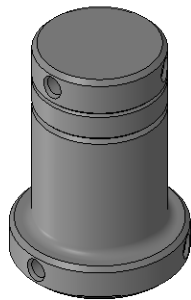
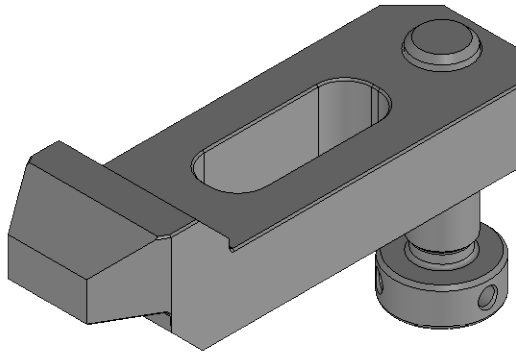
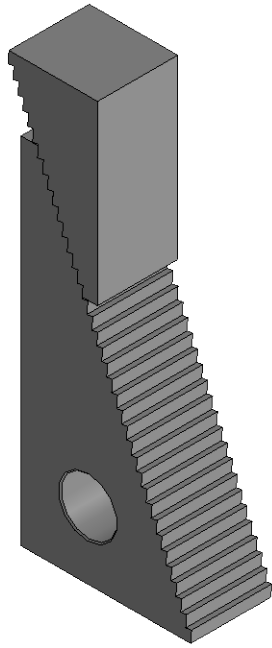
??????????

??

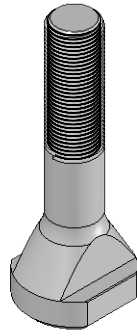
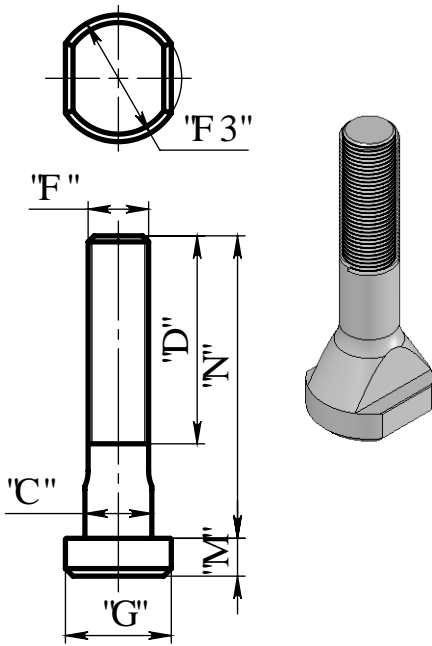
?? ??

??

??



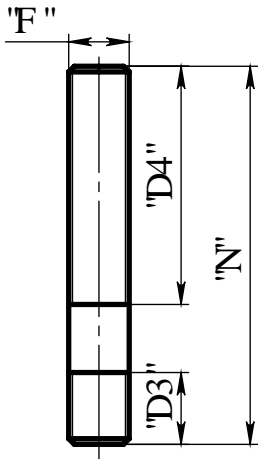
" " / " " " "320 0



	F	F3	C	D	G	M	N	
VF 3: Ø8500 38	O 38	55.7	39.9	67	4:	32	85	2.3:
VF 3: Ø: 200 38	O 38	55.7	39.9	77	4:	32	: 2	2.43
VF 3: Ø2200 38	O 38	55.7	39.9	87	4:	32	322	2.46
VF 3: Ø4700 38	O 38	55.7	39.9	: 7	4:	32	347	2.4:
VF 3: Ø8200 38	O 38	55.7	39.9	322	4:	32	382	2.55
VF 3: Ø42200 38	O 38	55.7	39.9	347	4:	32	422	2.5;

" " " " 0

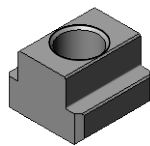
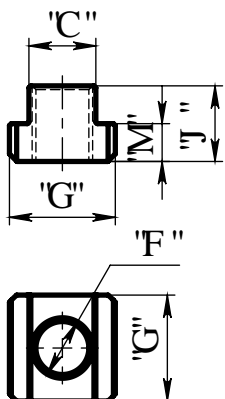
" " " "320 0



	F	N	D3	D4	
FD3: Ø8500 38	O 38	85	3;	54	2.32
FD3: Ø: 200 38	O 38	: 2	3;	72	2.34
FD3: Ø2200 38	O 38	322	3;	85	2.37
FD3: Ø4700 38	O 38	347	3;	97	2.3;
FD3: Ø8200 38	O 38	382	3;	322	2.47
FD3: Ø42200 38	O 38	422	3;	347	2.53
FD3: Ø47200 38	O 38	472	3;	382	2.5;

" " " " 0

" " / " " " "320



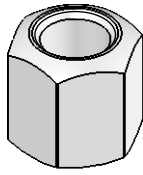
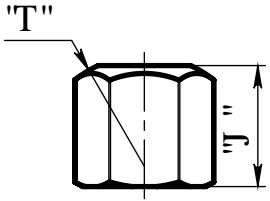
	F	C	G	J	M	
VP3: Ø 38	O 38	39.9	4:	42	32	2.2:

" " " " 0

"

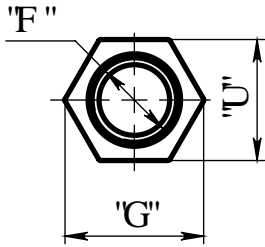
" "

"320



	F	J	G	U	T	
PUB: Ø38	O 38	46	49.7	46	44	2.28

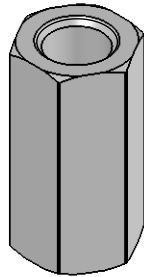
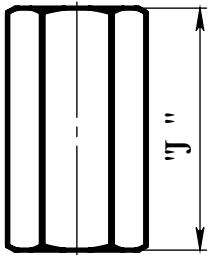
" " " " 0



"

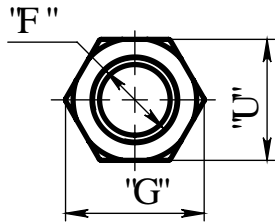
" "

"320



	F	J	G	U	
PUB: Ø38N	O 38	6:	49.7	46	2.35

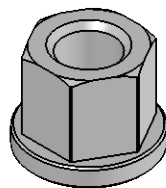
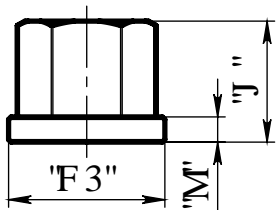
" " " " 0



" " "

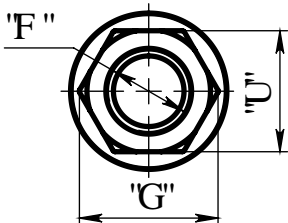
" "

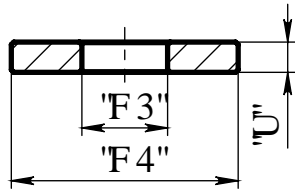
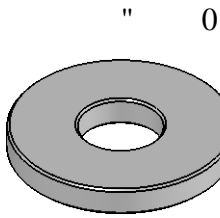
"320



	F	F3	J	M	G	U	
PUB: Ø38J	O 38	53	46	7	49.7	46	2.29

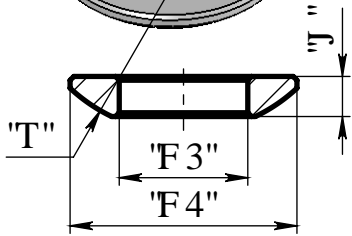
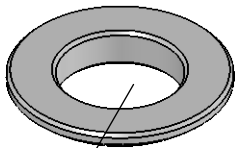
" " " " 0





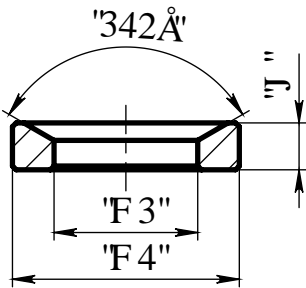
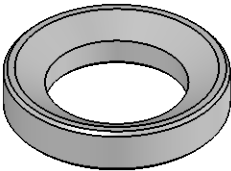
"

" 0



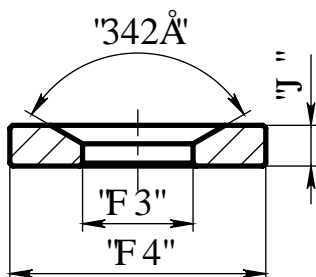
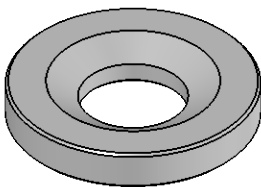
" "

" 0



" "

" 0



	F3	F4	U	"
Y UB: Ø 38	39	67	8	2.28

"

"

"

"

0

	F3	F4	J	T	"
Y UB: Ø 38E	39	52	7.5	44	2.235

"

"

"

"

0

"

	F3	F4	J	"
Y UB: Ø 38F	3;	52	8.4	2.23:

"

"

"

"

0

"

	F3	F4	J	"
Y UB: Ø 38I	3;	66	9	2.28

"

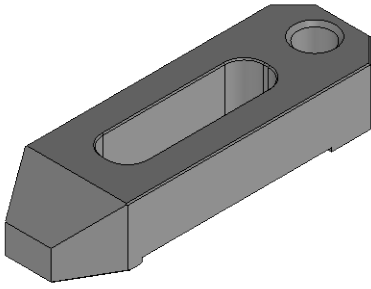
"

"

"

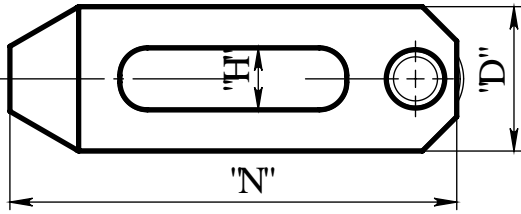
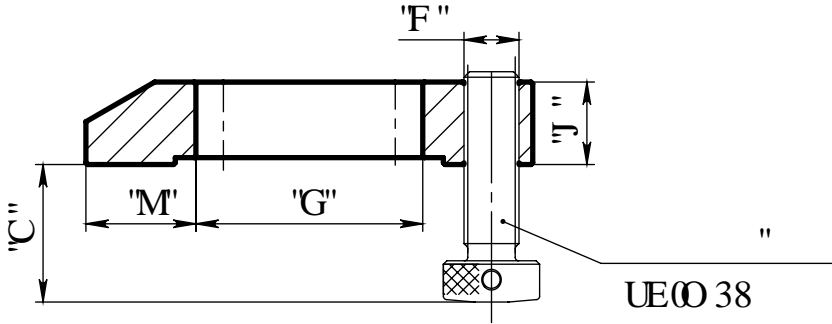
0

" " "e"
 " " "

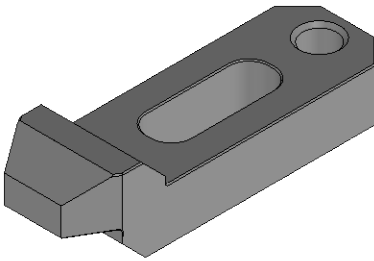


	F	C	D	J	G	M	H	N	
EC3: Ø 38C	O 38	34/67	64	46	88	54	3:	352	2.88

" " " " 0

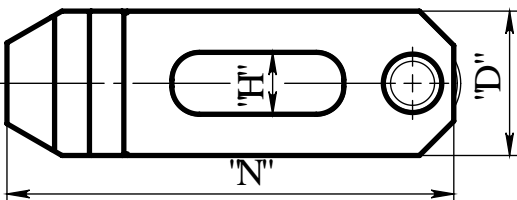
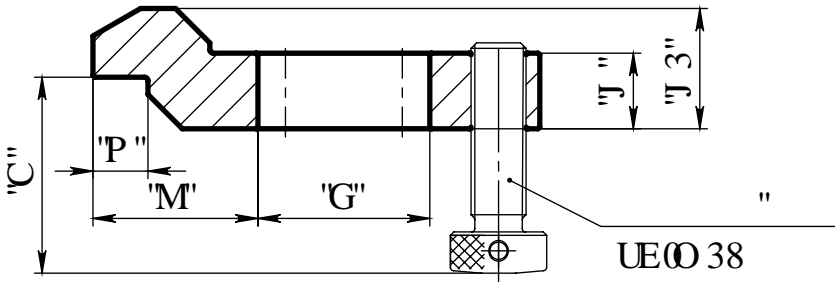


" " "e"
 " " "

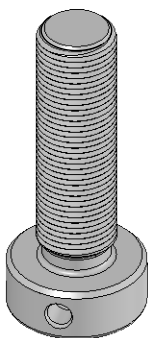
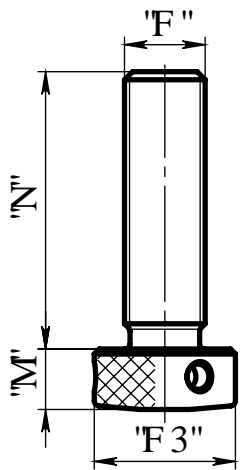


	F	C	D	J	J 3	G	M	H	P	N	
EC3: Ø 38C	O 38	34/82	64	44	57	72	6:	3:	38	352	2.88

" " " " 0



"320 0

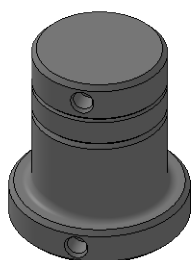
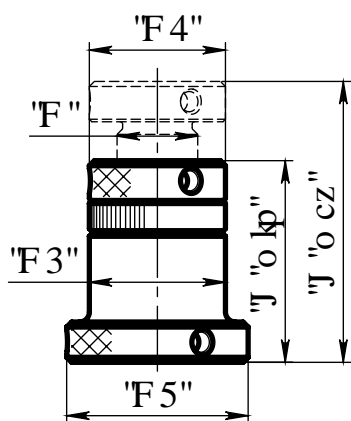


	F	F3	M	N	
UE0038z77	O 38	4:	34	77	2.35
UE0038z; 2	O 38	4:	34	; 2	2.3;

" " " " " 0

" "

" 0

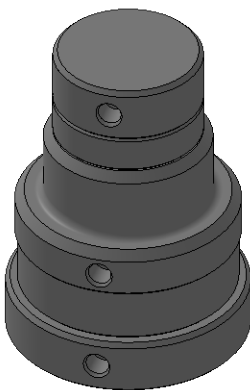
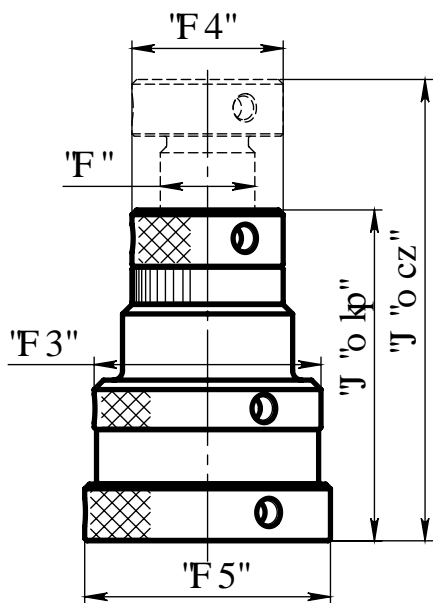


	F	F3	F4	F5	J o kp	J o cz	
UEL5806200 38	O 38	49	49	58	62	77	2.43
UEL5807200 38	O 38	49	49	58	72	97	2.47

" " " " " 0

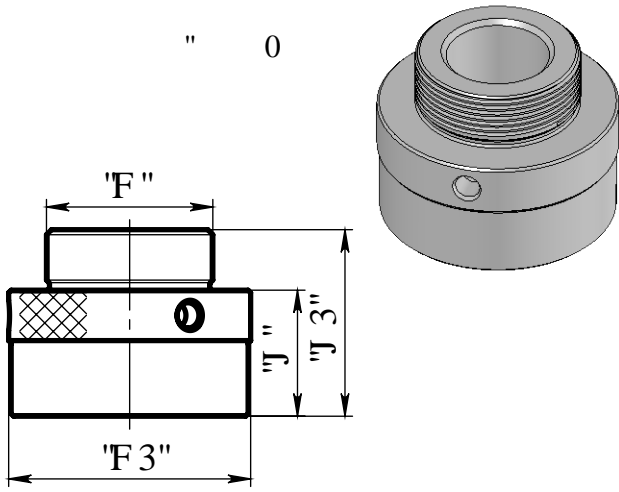
" "

" 0



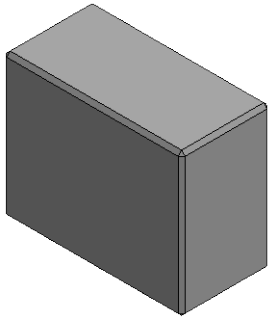
	F	F3	F4	F5	J o kp	J o cz	
UEL7409200 42	O 42	6:	54	74	92	322	2.98

" " " " " 0

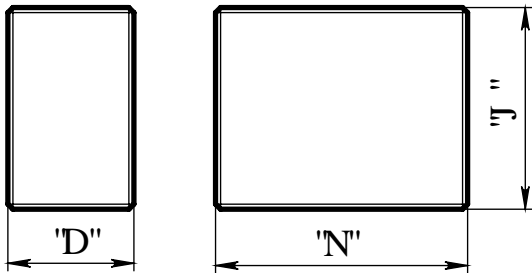


	F	F 3	J	J 3	
GZ 6: 0470055	O 55z3	6:	47	59	2.49
GZ 6: 0720055	O 55z3	6:	72	84	2.6;

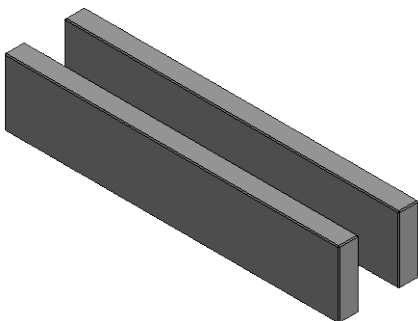
" " " 0 " " " 6" 0
 " " " " " 2.23 0



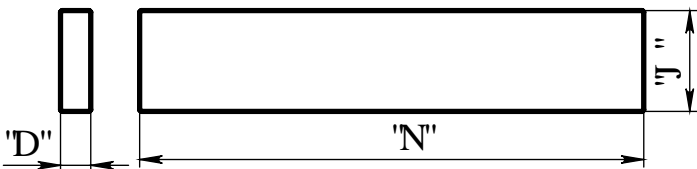
	D	J	N	*3" 0+
RU72047z62	47	62	72	2.5;
RU72054z62	54	62	72	2.72



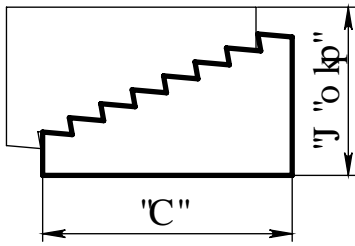
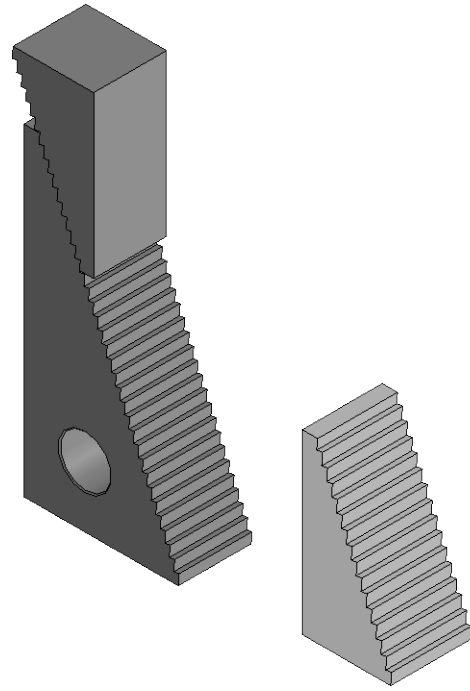
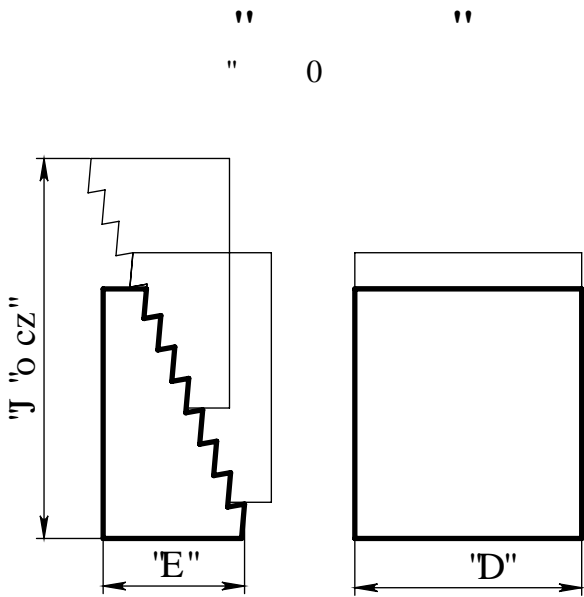
" " " 0 " " " " " ±2.23 0'



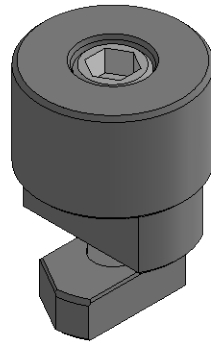
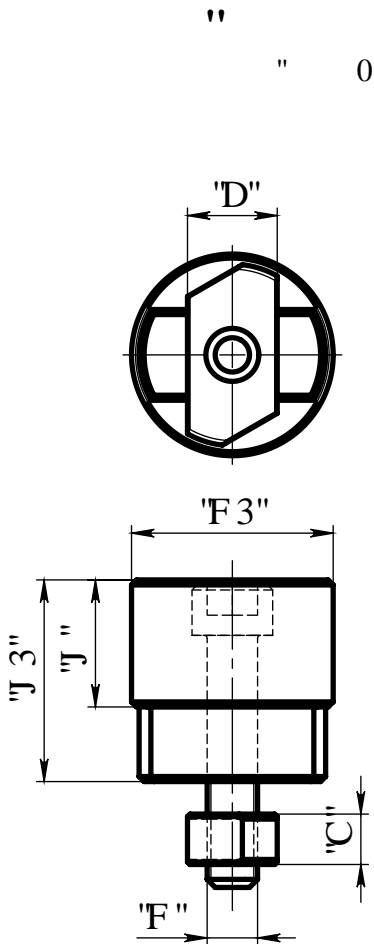
	D	J	N	*3" 0+
RU32206z34	6	34	322	2.26
RU32207z38	7	38	322	2.28
RU32208z42	8	42	322	2.2;
RU3220 z47	:	47	322	2.38
RU322082z47	32	47	322	2.3;
RU32208: z72	3:	72	322	2.8;
RU3470 z47	:	47	347	2.3;
RU347082z54	32	54	347	2.53
RU347084z62	34	62	347	2.68
RU372084z54	34	54	372	2.66
RU372088z62	38	62	372	2.96
RU372042z72	42	72	372	3.38
RU422042z72	42	72	422	3.76
RU422042z85	42	85	422	3.; 6



" " " " " 0



	J o kp	J o cz	C	D	E	*3 Ø
CU52044072	44	72	55	52	3: .9	2.2; 5
CU520590822	59	322	88	52	55.7	2.52
CU5208: 0422	8:	422	355	52	85.:	3.2



	F	F3	C	D	J	J3	
EV3: 062047	O 32	62	32	39.:	47	62	2.58
EV3: 062072	O 32	62	32	39.:	72	87	2.82