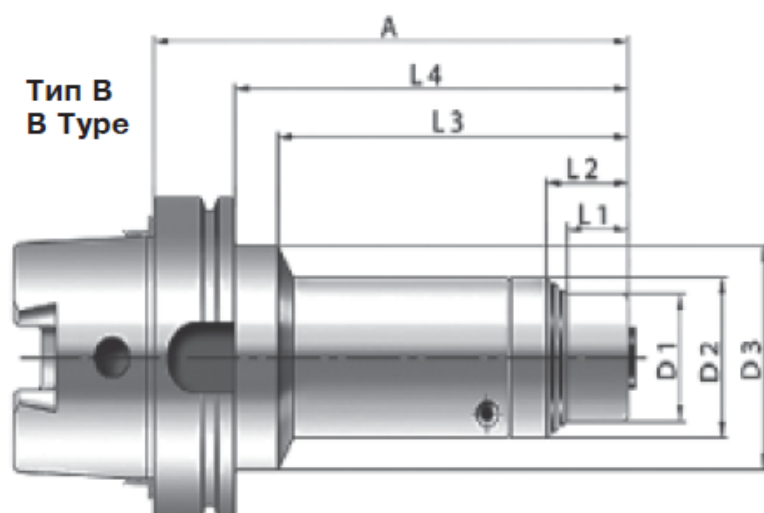
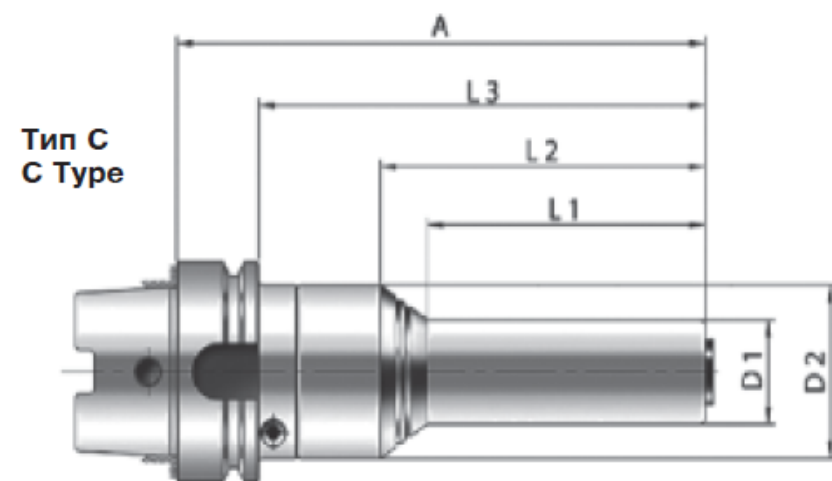
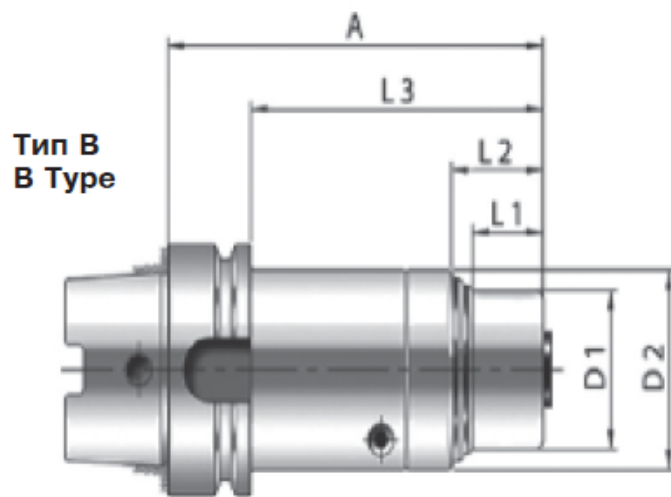
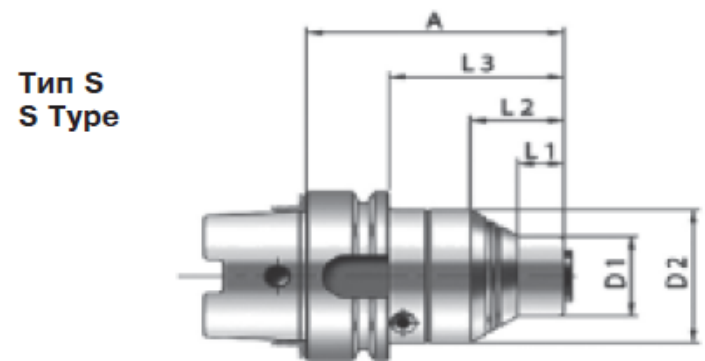
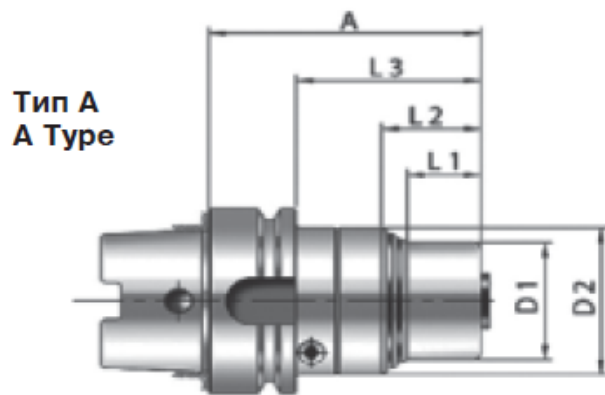


| Код / Code         | Конус | Диапазон<br>мм | Тип | A   | D <sub>3</sub> | D <sub>2</sub> | D <sub>1</sub> | L <sub>1</sub> | L <sub>2</sub> | L <sub>3</sub> | L <sub>4</sub> | G=2,5  | G=2,5  |
|--------------------|-------|----------------|-----|-----|----------------|----------------|----------------|----------------|----------------|----------------|----------------|--------|--------|
|                    |       |                |     |     |                |                |                |                |                |                |                | 20000  | 15000  |
|                    |       |                |     |     |                |                |                |                |                |                |                | об/мин | об/мин |
| B240.10.63.092.14  | A63   | 2-14           | S   | 92  | -              | 50             | 30             | 11             | 29             | 66             | -              | X      |        |
| B240.10.63.176.14  | A63   | 2-14           | C   | 176 | -              | 50             | 30             | 61             | 78             | 116            | -              | X      |        |
| B240.10.63.092.20  | A63   | 2-20           | A   | 92  | -              | 50             | 40             | 20             | 29             | 66             | -              | X      |        |
| B240.10.63.130.20  | A63   | 2-20           | B   | 130 | -              | 50             | 40             | 20             | 29             | 104            | -              | X      |        |
| B240.10.63.132.32  | A63   | 16-32          | A   | 132 | -              | -              | 63             | 106            | -              | -              | -              | X      |        |
| B240.10.100.186.14 | A100  | 2-14           | C   | 186 | 70             | 63             | 40             | 84             | 104            | 129            | 157            |        | X      |
| B240.10.100.100.20 | A100  | 2-20           | A   | 100 | 70             | 63             | 40             | 18             | 38             | 43             | 71             |        | X      |
| B240.10.100.140.32 | A100  | 16-32          | A   | 140 | -              | -              | 70             | 111            | -              | -              | -              |        | X      |

Диапазон 2 - 20 / 20 - 32  
 Range 2 - 20 / 20 - 32

Диапазон 2 - 14  
 Range 2 - 14



Ключи, цанги и аксессуары  
 поставляются отдельно по запросу

Keys, collets and accessories are supplied  
 separately on demand